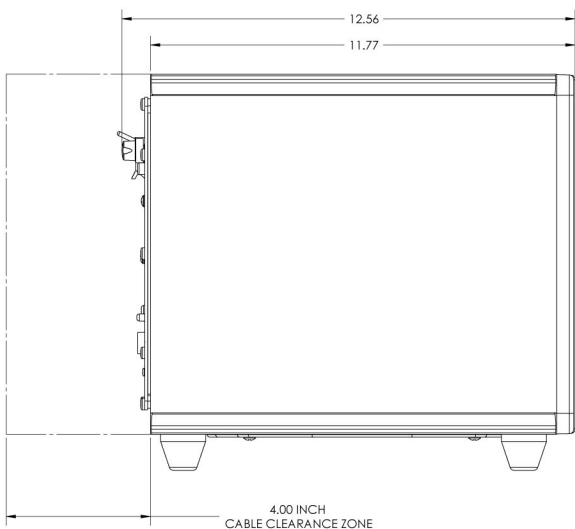
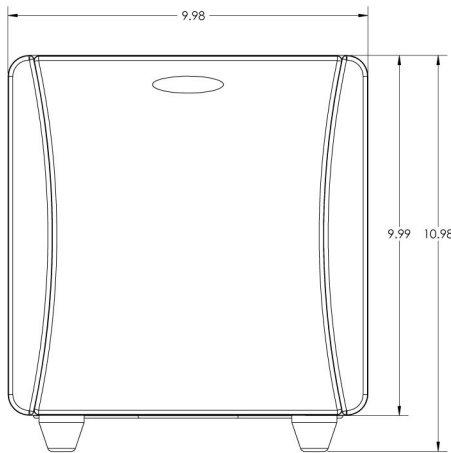


# impact mini

HIGH PERFORMANCE, HIGH VALUE SUBWOOFERS



## Features

- High quality, long throw drivers
- 2" copper-wound voice coils
- Down-firing ports (Impact-10 and -12) and down-firing bass radiator (Impact-Mini) for more output, less distortion
- Home décor friendly, small cabinets
- An adjustable, high quality crossover system matches your subwoofer with your main speakers
- Auto On/Off to conserve energy
- Phase adjustment for maximized bass blend with main speakers

## SPECIFICATIONS

Model	Impact-Mini
Amplifier	180 watts RMS 300 watts Dynamic Power
Woofers	6.5" (16.5 cm) active (5" piston diameter) and 8" (20.3 cm) passive (6.5" piston diameter)
Magnet Structure	4.0 lbs. (1.8 Kg)
Frequency Response	38-140 Hz (+/- 3 dB)
Voice Coil	2" copper-wound
Cone	6.5" and 8" Anodized Aluminum
High Pass Crossover	Full range
Low Pass Crossover	50 Hz-200 Hz
Cabinet Design	Acoustically neutral, down-firing passive radiator
Outputs	Stereo, left and right, speaker level
Inputs	RCA Line Level, LFE and Speaker Level inputs
Phase	0° or 180°
Auto On/Off	Yes
Removable Grille	Yes
LED Power Indicator	Yes
Shipping Weight (approx.)	18.5 lbs. (8.4 Kg)
Dimensions (H/W/D) (inc. feet, grille & knobs)	10" x 10" x 12" (25.4 x 25.4 x 30.5 cm)
Finish	Black Ash Wood-grain with Black Gloss trim
Warranty (parts/labor) (North America)	Three years (electronics) Five years (drivers)